

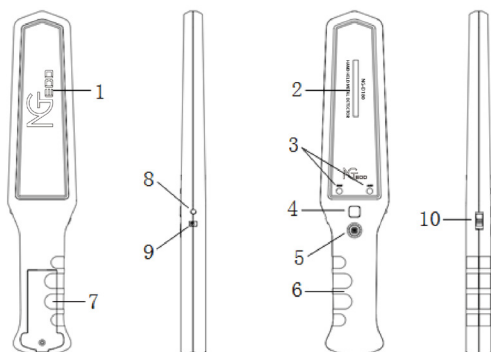
# User Manual

Hand Held Metal Detector: NG-D190

---

Version: 1.0

## Diagram



1. Detection Face
2. Signal Indicator
3. LED (The green light is the power indicator. The red light is the alarm indicator.)
4. Low Sensitivity Button (long-press for low sensitivity)
5. Audio Alert
6. Handle
7. Battery Cover
8. Low Battery Indicator
9. Rechargeable Battery and Earphone Socket
10. Vibrator Button

## Usage

1. Electronic detection at airports, stations, and docks.
2. Security check by customs, public security, border defense, and security departments.
3. Quality inspection of pharmaceutical, food, and commerce industries.
4. Security check at important spots and sports places.
5. Precious metal detection at places such as jewelry plants.

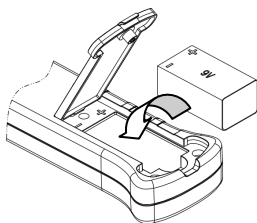
## Detection Range

- |                                |        |
|--------------------------------|--------|
| 1. Thumbtack                   | 3–5 cm |
| 2. Steel ball (25 mm diameter) | 12 cm  |
| 3. Handgun                     | 20 cm  |
| 4. Dagger                      | 25 cm  |

## Performance

1. The sensitivity of the detector is determined primarily by the size, shape and material of the detected objects.
2. The device has no requirement on the operation direction and is easy and convenient to use.
3. The battery voltage is decreased to 7 V from 9 V and the detection range does not change.
4. The battery consumption speed is low and the working duration stands at more than 40 consecutive hours.
5. When the battery is dying, the low battery indicator blinks.
6. Power-on and power-off are indicated with sounds.
7. High sensitivity and low sensitivity are provided.
8. An external charging socket is provided.
9. A switch between acousto-optical and vibrating modes is provided.
10. A signal strength indicator is provided.

## Battery Loading and Changing



1. Remove the screws with a philips screwdriver to open the battery cover.
2. Load the 9V battery based on the positive and negative poles marked on the battery cover.
3. Close the battery cover and tighten the screws.

## Operation

1. Turn on the vibrator switch (10). If a Dah is heard, the metal detector is powered on, and the green light blinks. If there is no sound, the battery is not loaded or the contact between the battery and battery terminals is poor. If consecutive sounds are heard, you need to change a new battery.
2. After hearing the power-on sound, you can perform the high sensitivity test. Hold the handle and sweep the detector around the object with the detection face near to it. The detector makes an alarm sound and lights the red indicator when metal is detected. If you stop the detection, the alarm sound stops and the red indicator goes out.
3. Low sensitivity test: Long-press the low sensitivity button (4) to exclude small-sized metal objects from detection. Sweep the detector around the object. The detector makes an alarm sound and lights the red indicator when metal is detected. If you stop the detection, the alarm sound stops and the red indicator goes out. The sensitivity is decreased by more than five times. Metal that is detected in this mode are generally of large size.

## Notes

1. You need to power off the detector after using.
2. If the unit is not to be used for a certain length of time, it is advisable to remove the battery to avoid battery leakage with could cause serious damage to the detector.
3. An alarm is triggered only when the detector sweeps across a metal object. If the detector remains still in front of a metal object, no alarm will be triggered.
4. Do not charge the 9 V battery to avoid damage. If you need a charging suit, contact the local distributor.
5. You need to power off the detector during charging.

## Specifications

**Power Voltage:** 9 V Standard or Rechargeable Battery

**Power Consumption:**  $\leq 270$  mW

**Operating Frequency:** 22 kHz

**Standby Current:**  $< 5$  mA

**Operating Voltage:** 7 V DC to 12 V DC

**Operating Temperature:**  $-10^{\circ}\text{C}$  to  $+65^{\circ}\text{C}$

**Net Weight:** 260g

**Dimensions (L x W x H):** 345 mm \* 69 mm \* 25 mm

**Package Dimensions:** 420mm \* 51mm \* 93mm

1600 Union Hill Road Alpharetta, GA 30005

Tel: +1 (770) 800-2321

E-mail: [ngtime@ngteco.com](mailto:ngtime@ngteco.com)

[www.ngteco.com](http://www.ngteco.com)



Copyright © 2022 NGTECO CO., LTD. All Rights Reserved.